



PIPE & COUPLING

# HUB & SPIGOT SOIL PIPE & FITTINGS INSTALLATION INSTRUCTIONS

Tyler Pipe/Soil Pipe Division • 11910 CR 492 • Tyler, TX 75706 • (800) 527-8478

## Materials Needed:

Proper, approved safety equipment and attire.

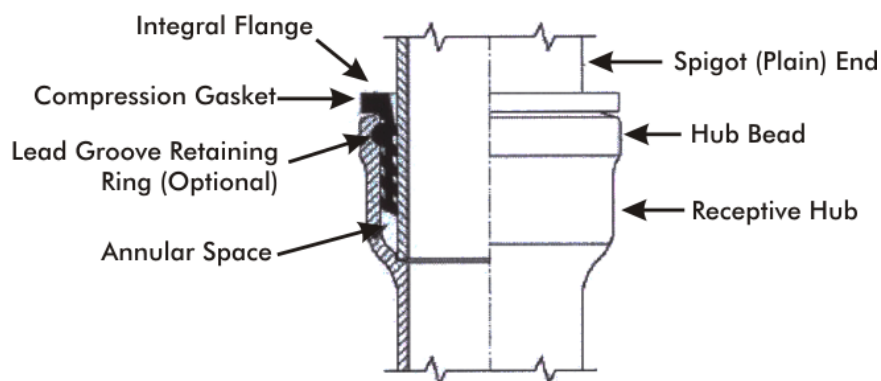
- Tyler SV cast iron soil pipe and fittings.
- Tyler Ty-Seal® gaskets or EZ-Tight® gaskets.
- Ty-Seal® Lube or Lubri/Fast® Adhesive Lubricant.
  - Ty-Seal® Lube for 2” through 4” sizes.
  - Lubri/Fast® Adhesive Lubricant for sizes 5” through 15”.
- Brush for lubricant application.

**Note:** Lubri/Fast® Adhesive Lubricant may be used on all sizes of pipe and fittings.  
Lubri/Fast® is required when using 5” through 15” pipe & fittings.

## Installation:

1. Clean the hub and pipe or fitting end to be joined. They should be free of dirt, mud, gravel or other foreign material.
2. Insert the gasket into the hub. When joining 5” or larger pipe & fittings, apply Lubri/Fast® adhesive lubricant to the inside surface of the hub before inserting the gasket. To prevent movement, horizontal pipe and fittings 5” and larger should be suitably braced by the use of blocks, rodding or other suitable methods at every branch or change of direction.
3. Lubricate the inside surfaces of the gasket and the outside of the spigot end to be joined using a brush.  
(Use Ty-Seal® Lube for sizes 2” through 4”. Use Lubri/Fast® Adhesive Lubricant for sizes 5” through 15”)
4. Align the pipe and/or fittings to be joined. Push or pull the pipe or fitting spigot into the hub. You will feel the pipe or fitting “bottom out” in the hub. The assembly tool of your choice may be used.

**NOTE:** If joining a cut piece of pipe, the sharp edges of the cut pipe must be “peened” with a hammer or filed to remove the sharp edge. Failure to remove the sharp edge on cut pipe will make assembly difficult.



**NOTE:** Tyler Pipe Company gaskets, both Ty-Seal® and EZ-Tight®, meet or exceed the requirements of ASTM C564 and ASTM C1553. Tyler Pipe Company strongly recommends the use of TYLER® gaskets with pipe and fittings manufactured by Tyler Pipe Company.